

TELECOM RANGE



Model No. TEL 150F (12 Volts, 150 Ah at 8 hour Rate to 1.75 vpc)
Valve Regulated Lead acid Battery for communications
standby power applications

Innovative Features

- Completely maintenance free, sealed construction eliminates the need for watering
- Fully tank formed plates
- Analytical Grade electrolyte
- Spill proof / leak proof
- Valve regulated Max internal pressure 2.5 psi
- Multi-position usage
- ABS Case & Cover Flame retardent meets UL 94 VO requirements
- Low self discharge
- FAA and IATA approved as non-hazardous
- Built to comply with IEC 896-2, DIN 43534, BS 6290 Pt4, Eurobat, Telcordia SR 4228
- UL Approval, ISO9001

Ampere Hour Capacity at 77°F (25°C) to 1.75 vpc

Discharge Time in Hrs	1	2	3	4	5	6	7	8	10
Ampere Hour Capacity	110	119	127	134	140	144	147	149	154



Sealed Lead Acid 12 Volt Bloc AGM Range

Specifications

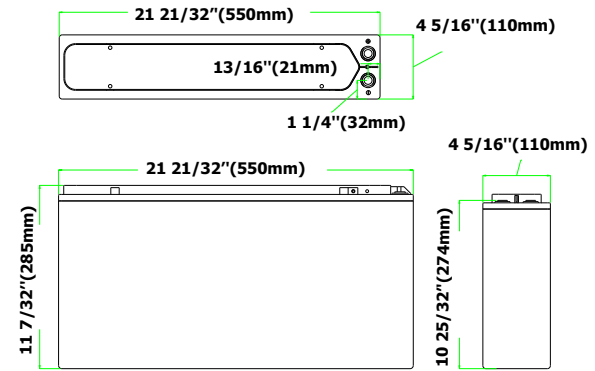
Nominal Voltage		12V	
Nominal Capacity		166.6 Ah	
Dimensions	Total Height (Inc terminals)	11.22 inches	285 mm
	Length	n/a	n/a
	Width	21.65 inches	550 mm
	Weight	4.33 inches	110 mm
		104.09 lbs	47.1 Kg



Haze Battery Company Ltd

Characteristics

Capacity 77°F (25°C) to 1.7 vpc	20 hour rate	166.66 Ah
	10 hour rate	159.8 Ah
	5 hour rate	156.1 Ah
	1 hour rate	110.6 Ah
	15 min rate	72.5 Ah
	Internal Resistance	2.6 mOhms
Capacity correction for temperature Variations (C20)	104°F (40°C)	102%
	68°F (20°C)	100%
	32°F (0°C)	85%
	5°F (-15°C)	65%
Self Discharge 77°F (25°C)	Capacity after 1 month storage	98%
	Capacity after 3 months storage	94%
	Capacity after 6 months storage	86%
Short Circuit Current 77°F (25°C)	4700	
Terminal	Standard	16mm Insert M6 thread
Charging (Constant Voltage)	Float	2.27 - 2.30 vpc (59 - 77°F)



End V per Ampere Hour at 77°F (25°C)

Cell	1 hr	2 hr	3 hr	4 hr	5 hr	8 hr	10 hr	12 hr	20 hr
1.85	88.6	96.3	103.0	109.0	114.0	122.0	127.0	130.0	139.0
1.80	109.0	119.0	127.0	134.0	139.0	148.0	152.0	155.0	157.0
1.75	110.0	119.0	127.0	134.0	140.0	150.0	154.0	157.0	162.0
1.70	111.0	119.0	127.0	134.0	141.0	151.0	156.0	160.0	167.0

End V per Constant Amps Discharge - Amps at 77°F (25°C)

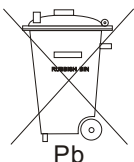
Cell	1 hr	2 hr	3 hr	4 hr	5 hr	8 hr	10 hr	12 hr	20 hr	24 hr	72 hr	100 hr
1.85	88.60	48.15	34.33	27.25	22.80	15.25	12.70	10.83	6.95	5.84	1.93	1.38
1.80	109.00	59.50	42.33	33.50	27.80	18.50	15.20	12.92	7.85	6.52	2.18	1.57
1.75	110.00	59.50	42.33	33.50	28.00	18.63	15.40	13.08	8.10	6.77	2.31	1.65

Specifications

Design Life	12 Years
Operating Temperature	-4 °F to 122 °F
Grid alloy	Calcium / Tin lead alloy
Plates	Flat Pasted
Separator	Absorbant Glass Mat
Active material	Very high purity lead
Charge Voltage	Float 2.25 - 2.30 VPC @77 °F Cycling 2.35 @77 °F Max. 2.4 VPC Max ripple 0.05C (A)
Electrolyte	Sulphuric acid Analytical grade purity
Venting Valve	EPDM Rubber 1.5 to 2 psi (10.5 - 14 KPa) release pressure. Resealing at 1 psi (7 KPa)
Torque setting	The recommended torque value for all types is 44-62 inch-pounds

Terminal Details

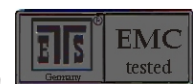
Insert are made from brass with copper, nickel and silver plating giving excellent mechanical, electrical and corrosion resistant properties.



Haze Battery Company keenly encourages environmental awareness; PLEASE follow guidelines for the recycling /disposal of lead.



UL Recognized
Component
MH 20947



Ver. 20050915